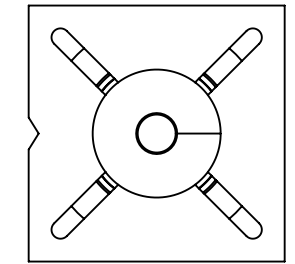
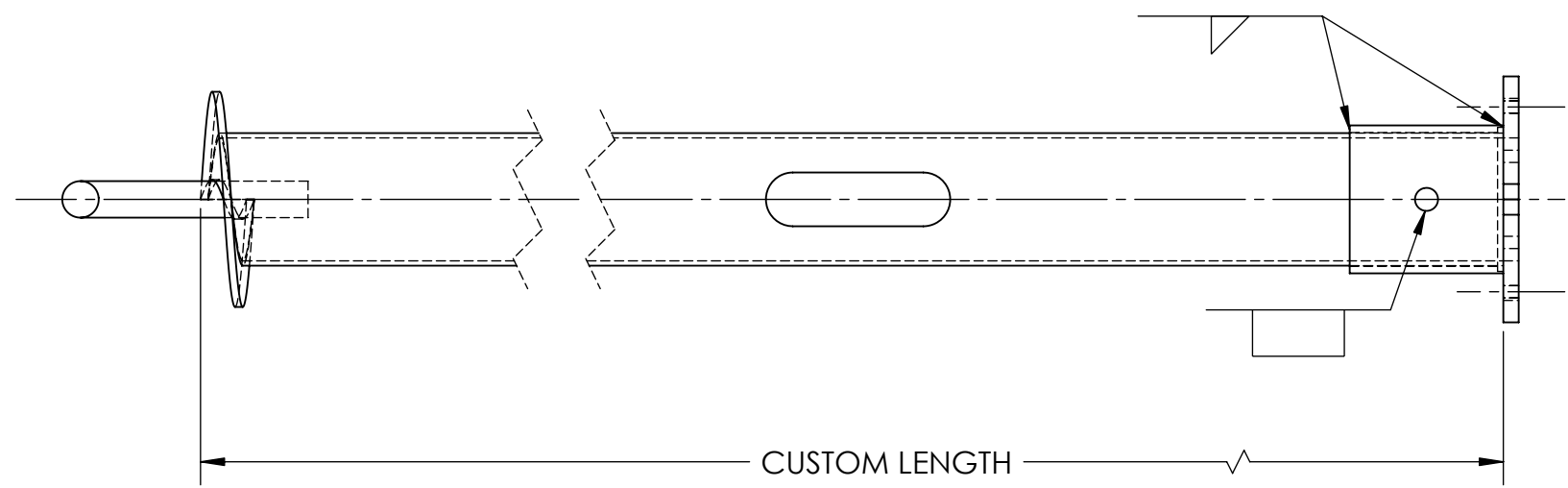


D

D



C

C

SHAFT SIZE	LATERAL LOAD	OVERTURNING
6 5/8"	< 1,000 LB	< 10,000 FT-LB
8 5/8"	< 1,200 LB	< 15,000 FT-LB

NOTES:

1. ULTIMATE CAPACITY IS BASED ON SOIL WITH N VALUE ≥ 5 .
2. MATERIAL YIELD STRENGTH: 50 KSI MIN FOR TUBULAR SHAFT.

B

B

A

A

DATE:	11.21.16	HELICAL ANCHORS INC.		
NAME:	DLW			
THIS DRAWING CONTAINS CONFIDENTIAL INFORMATION OF HELICAL ANCHORS INC. THIS DOCUMENT MAY NOT BE REPRODUCED IN ANY FORM WITHOUT THE WRITTEN PERMISSION OF HELICAL ANCHORS INC.		TITLE:		
		LIGHTING POST BASE DESIGN		
		DWG. NO.		
REV: 0	SIZE: B	SCALE: N/A	SHEET 1 OF 1	